

HS-AA042 & HS-AA052 Terminal Head

Aluminium / Stainless Steel



For use in Intrinsically Safe areas to aid connections to conduits and site cables.

Terminal head is classed as a 'simple apparatus' if being used in Intrinsically Safe environment.

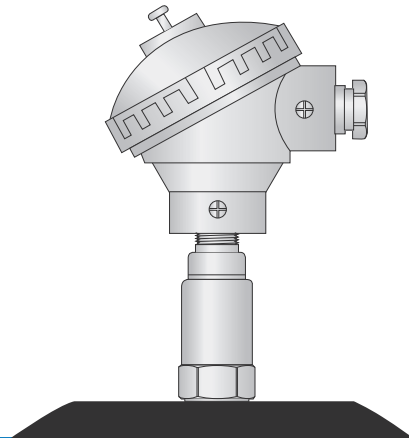
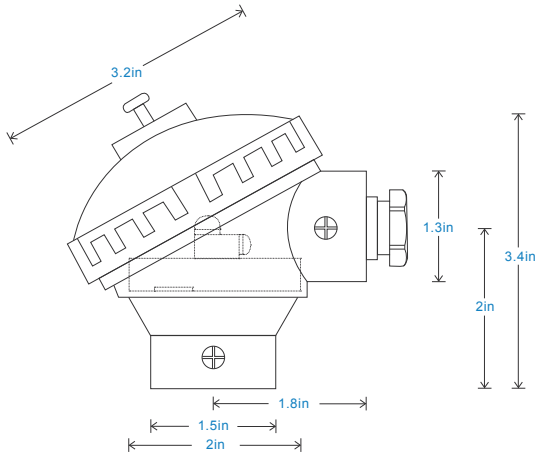
Operating Temperature Range: determined by Intrinsically Safe certification for sensor.

Sealing: IP67

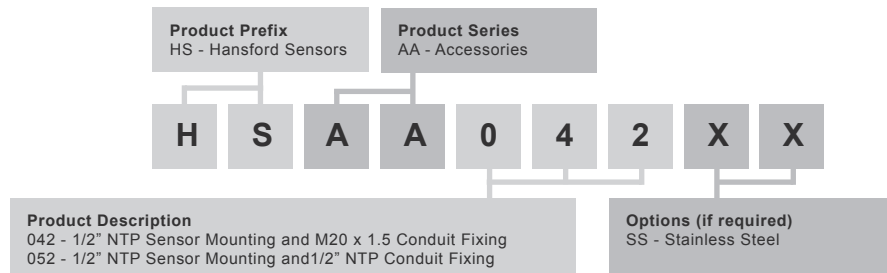
Weight in Aluminium: 10oz

Weight in Stainless Steel: 30oz

Applications



How To Order



www.hansfordsensors.com
sales@hansfordsensors.com

We reserve the right to alter the specification of this product without prior notice
TS532U.2

