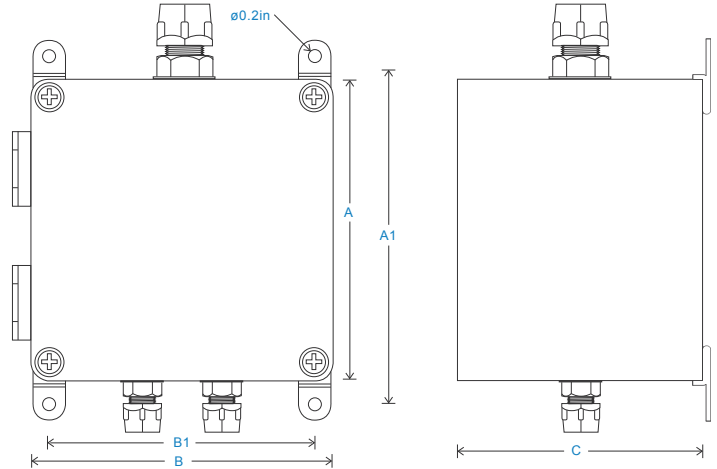
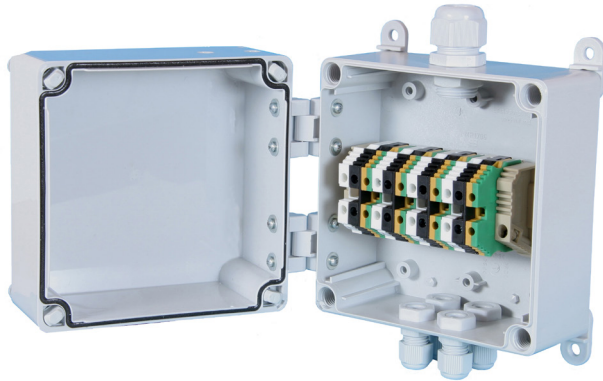


HS-JE Junction Enclosure

Polycarbonate

Key Features

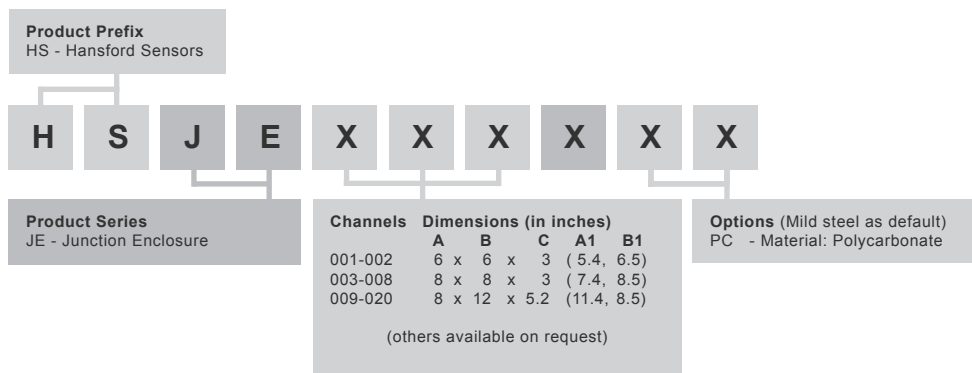
- Accelerometer cable glanding
- Ease of installation
- Flexible combinations



Technical Performance

Inputs	Accelerometer cabling	Glanding	Glands supplied but not fitted
Output	Multi-core glanding		Holes are punched for:
Material	Polycarbonate (to be specified in options of 'How To Order' table)		Single input M12 - \varnothing 0.1-0.3in cable
Dimensions	see: 'How To Order' table		Single input M20 - \varnothing 0.3-0.7in multi-core cable
Sealing	NEMA 4X	Labelling	Multi input M20 - 3 x \varnothing 0.2in
Termination	Klippon Type		Channel locations - other labelling available upon request
Operating Temperature Range	-4 to 266°F	Mounting	supplied are 4 x Brackets
		EMC	EN61326-1:2013

How To Order



www.hansfordsensors.com
sales@hansfordsensors.com

We reserve the right to alter the specification of this product without prior notice
TS411U.2

