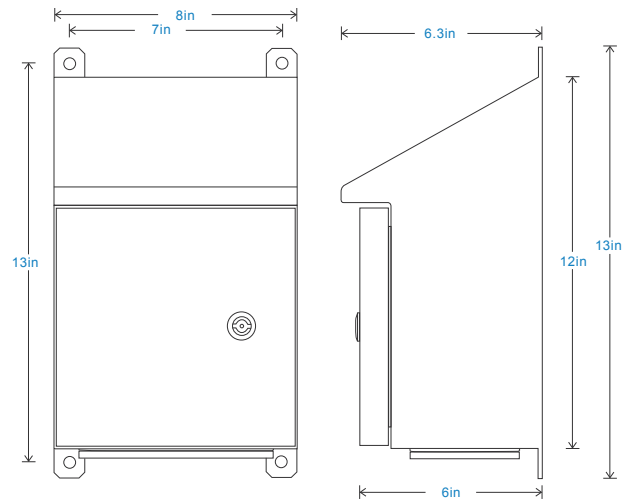


# HS-SE-SRM Switching Enclosure

Stainless Steel with protective roof

## Key Features

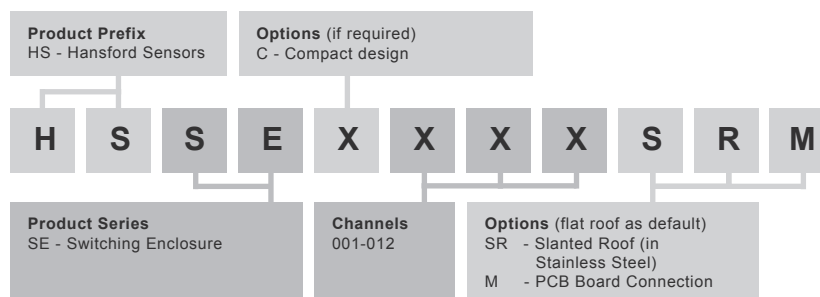
- Protective roof to stop dust and dirt settling
- BNC and 2 Pin MS output
- Provides a terminal to take readings from accelerometers via a portable data-collector
- Multiple outputs via one connector
- Easy to install



## Technical Performance

Inputs	Via accelerometer	Door	Lock and polyamide key
Output	BNC and 2 Pin MS as standard	Glanding	Glands supplied but not fitted
Mounting Board	PCB Panel		Holes are punched for:
	(customizable upon request)		Single input M12 - $\varnothing$ 0.1-0.3in cable
Material	304 Stainless Steel (to be specified in options of 'How To Order' table)		Single input M20 - $\varnothing$ 0.3-0.7in multi-core cable
Dimensions	see: diagram		Multi input M20 - 3 x $\varnothing$ 0.2in
Termination	Spring-loaded terminal (no screwdriver required)	Labelling	Channel locations - other labelling available upon request
Sealing	NEMA 4X	Mounting	supplied are 4 x Brackets
		EMC	EN61326-1:2013

## How To Order



[www.hansfordsensors.com](http://www.hansfordsensors.com)  
[sales@hansfordsensors.com](mailto:sales@hansfordsensors.com)

We reserve the right to alter the specification of this product without prior notice  
 TS333U.4

