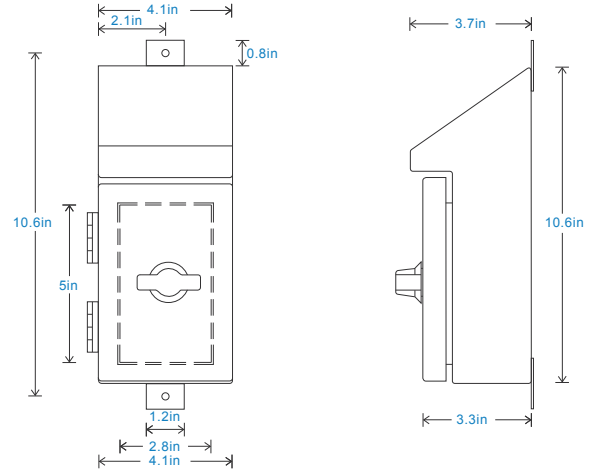


HS-CESC-SR Connection Enclosure

Compact - Stainless Steel with protective roof

Key Features

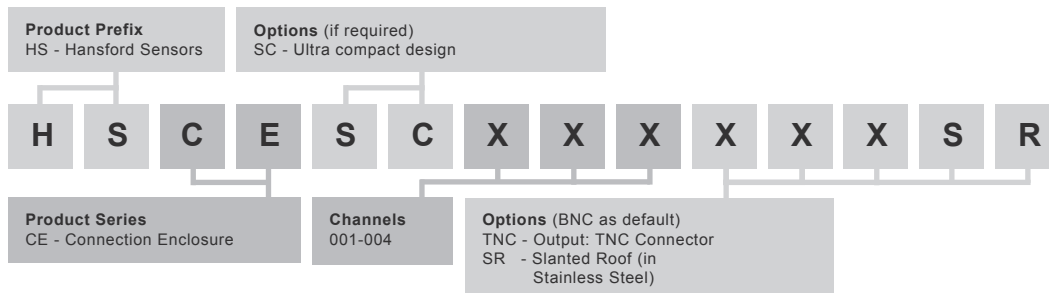
- Protective roof to stop dust and dirt settling
- Provides a terminal to take readings from accelerometers via a portable data-collector
- Multiple outputs via multiple connectors
- Compact design



Technical Performance

Inputs	Via accelerometer	Door	Twist handle
Output	BNC as standard (alternatives can be specified in 'How To Order' table)	Glanding	Glands supplied but not fitted Holes are punched for:
Mounting Board	PCB Panel (customizable upon request)		Single input M12 - \varnothing 0.1-0.3in cable Single input M20 - \varnothing 0.3-0.7in multi-core cable
Material	304 Stainless Steel (to be specified in options of 'How To Order' table)		Multi input M20 - 3 x \varnothing 0.2in
Dimensions	see: diagram	Labelling	Channel locations - other labelling available upon request
Sealing	NEMA 4X	Mounting	supplied are 2 x Brackets
Termination	PCB Mounted	EMC	EN61326-1:2013

How To Order



www.hansfordsensors.com
sales@hansfordsensors.com

We reserve the right to alter the specification of this product without prior notice
 TS255U.5

