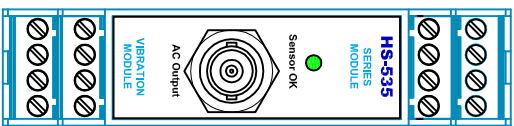
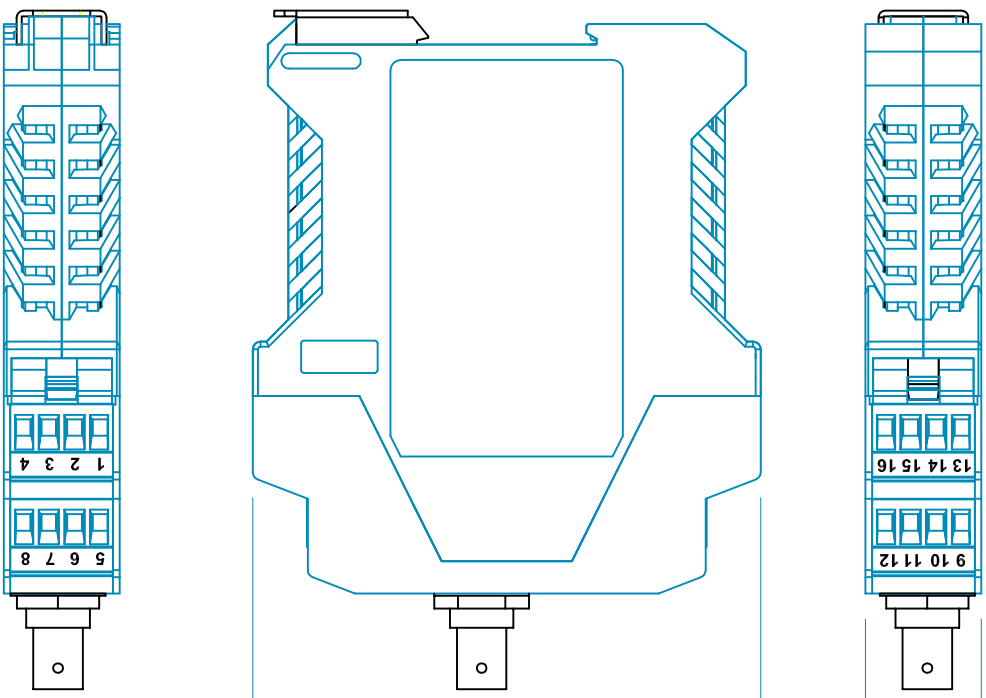


111.00

22.60

99.00



Terminal Connections

- 13 - 0V POWER IN
- 14 - 0V POWER OUT
- 15 - 0V (g pk OUTPUT)
- 16 - 0V (Vel. OUTPUT)
- 9 - +24V IN
- 10 - +24V OUT
- 11 - g pk OUTPUT +ve
- 12 - Vel. OUTPUT +ve
- 5 - ACCEL. +ve IN
- 6 - ACCEL. 0V IN
- 7 - ACCEL. SCREEN
- 8 - NO CONNECTION
- 1 - ACCEL. +ve IN
- 2 - ACCEL. 0V IN
- 3 - ACCEL. SCREEN
- 4 - NO CONNECTION

| | | | | | |
|--------|---------|----------|--------|---------|---------------|
| Rev No | DRF No | Date Drg | Drg By | Appd By | Material: N/A |
| A | Release | 06/10/16 | MJS | MJS | |

Hansford Sensors
Especially in Vibration Monitoring

Hansford Sensors Ltd
 Artisan, Hillbottom Road
 Sands Industrial Estate
 High Wycombe
 Bucks HP12 4HJ

Do Not Scale

All Dimensions in mm Unless Otherwise Stated

Description: **HS-535 .dwg Drawing**

Drawing No: **CD161**

| | | | | | |
|--------------------------|-------|-------|-----|-----------------|--|
| Tolerances Unless Stated | | | | | |
| 0 or 0.0 | ±0.5 | ±0.15 | 1/8 | Finish All Over | |
| 0.00 | ±0.15 | | | Threads g6 H6 | |
| Angle | ±5° | | | | |

If In Doubt - Ask!

Scale: 2 : 1

Sheet: 1 of 1

Form Number: **QF024 Issue 3**