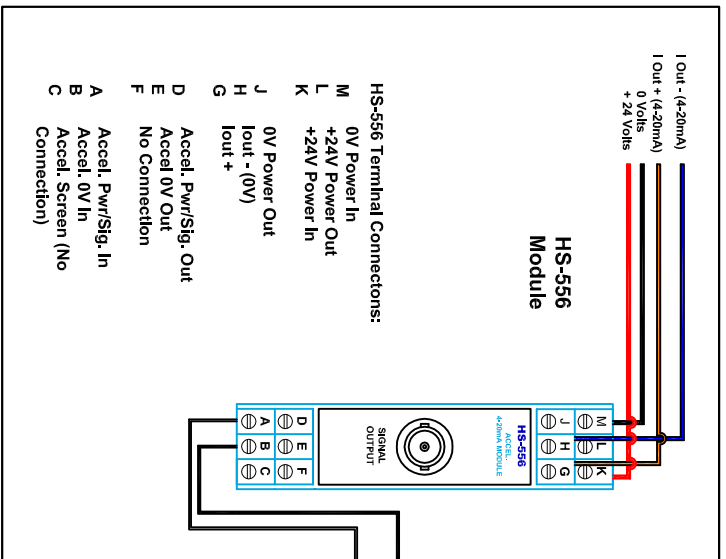
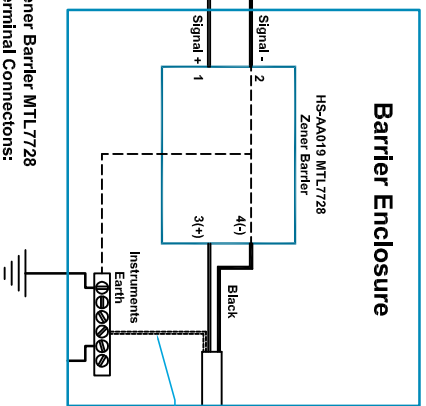


Measurement System

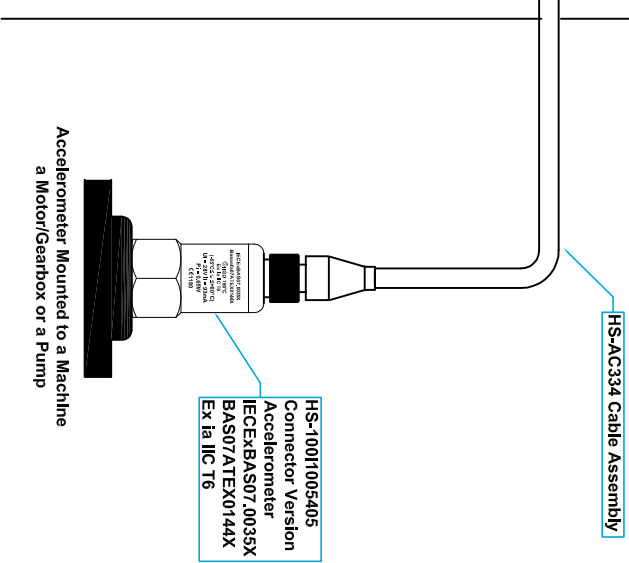


Non - Hazardous Area



- Zener Barrier MTL7728 Terminal Connections:**
- 1 + Signal
 - 2 - Signal (0V)
 - 3 Accel. +In
 - 4 Accel. -In

Hazardous Area



HS-AC334 cable Specification

Materials of Cable: High Temperature FEP Cable			
Pos	Description	Dimension	Overall Diameter
1.	Tin plated copper conductor Insulation of FEP	20 AWG	Copper 0.96 Insulation 1.47
2.	Tin plated copper drain wire	20 AWG	0.96
3.	Braided screen of tin plated copper wire	16 x 6 x 0.127	3.3.8
4.	Jackel of FEP, blue	Thickness 0.35mm	4.3

Technical Data of Cable		Values at 20°C		Unit
Conductor Resistance	34			Ω / km
Insulation Resistance	>5000			MΩ x km
Test Voltage	3			kV DC
Voltage Rating	600/1000			V/AC
Capacitance	Connector: 85			pF / m
Inductance	0.94			1kHz µH/m
L/R Ratio	7.94			µH/Ω
Weight	40			g / m
Temperature Rating	-80 / +200			°C

Rev No	DRF No	Date Drg	Drg By	Appd By	Material: N/A
A	Release	21/02/17	MMS	CMH	

1	2	3	4	5	6	7	8

Tolerances Unless Stated

0 or 0.0	±0.5	1.6/
0.00	±0.15	Finish All Over
Angle	±5°	Threads g6 H6



Hansford Sensors Ltd
 Artisan, Hillbottom Road
 Sands Industrial Estate
 High Wycombe
 Bucks HP12 4HU

Do Not Scale

All Dimensions in mm Unless Otherwise Stated

If In Doubt - Ask!

Description: HS-1001 Series Connection Drawing To HS-AA019, HS-AC334 and HS-556 Module
Drawing No: CD051-4

Scale: 1 : 1
Form Number: QF024 Issue 2
Sheet: 1 of 1