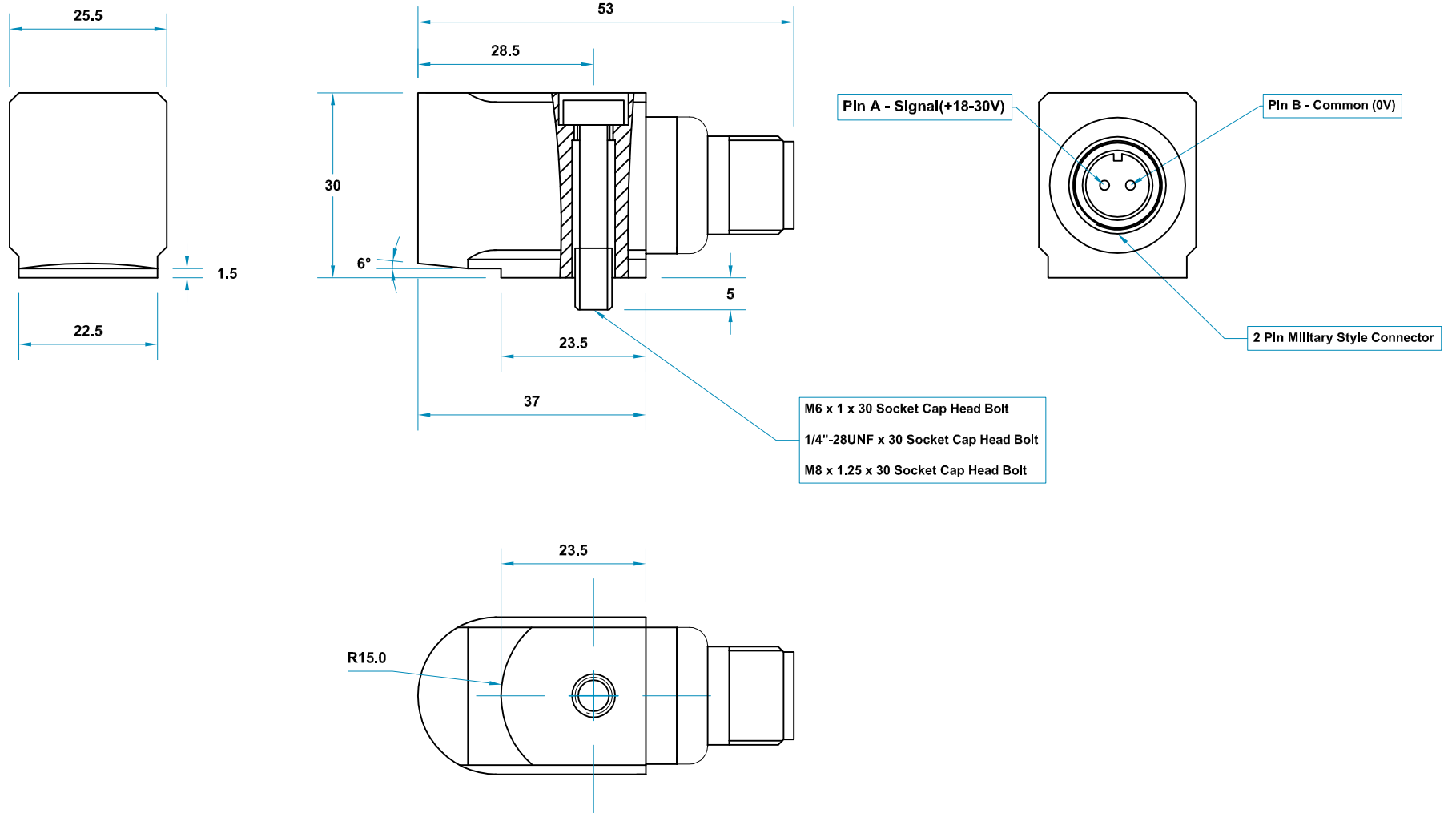


# Installation Dimensional Drawing for HS-100S Series 2 Pin MS Connector

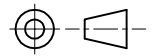


Rev No	DRF No	Date Drg	Drg By	Appd By	Material: <i>N/A</i>
A	Release	20/06/11	MJS	CMH	<b>Tolerances Unless Stated</b> 0 or 0.0 ±0.5 0.00 ±0.15 Angle ±5°
B	DRF0173	08/07/11	MJS	CMH	
C	DRF0250	11/09/12	MJS	CMH	



**Hansford Sensors**  
*Excellence in Vibration Monitoring*

Hansford Sensors Ltd  
 Artisan Hillbottom Road  
 Sands Industrial Estate  
 High Wycombe  
 Bucks HP12 4HJ



**Do Not Scale**

All Dimensions In mm Unless  
 Otherwise Stated

**If In Doubt - Ask!**

**Description:** Installation Dimensional  
 Drawing for HS-100S Series  
 2 Pin MS Connector

**Drawing No:** CD034-1-C

**Scale:** NTS  
**Sheet:** 1 of 1

**Form Number:**  
 QF024 Issue 3