

Safety warning

Please read instructions before use

**EYE PROTECTION
SHOULD BE WORN WHEN
USING THIS PRODUCT**



Wear goggles



SPOT FACE KIT

USER GUIDE LINE

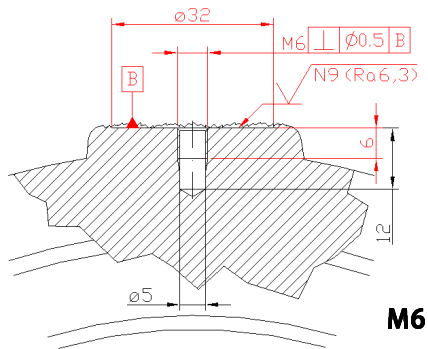
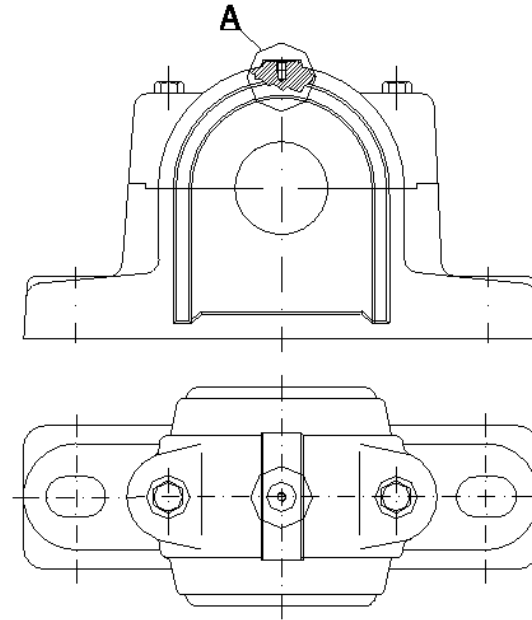
MANUAL

QM028

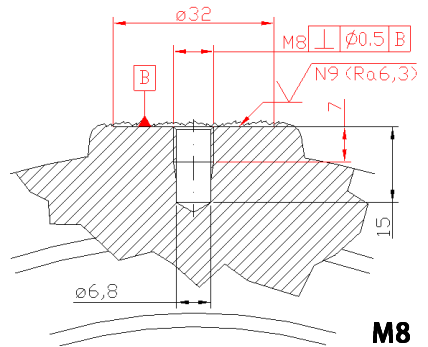
Issue 1.1



Typical mounting position

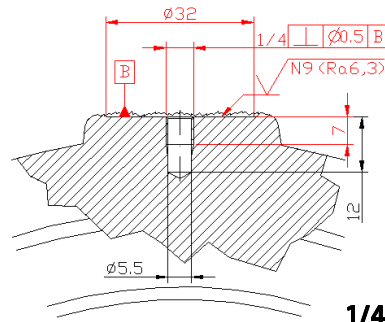


M6



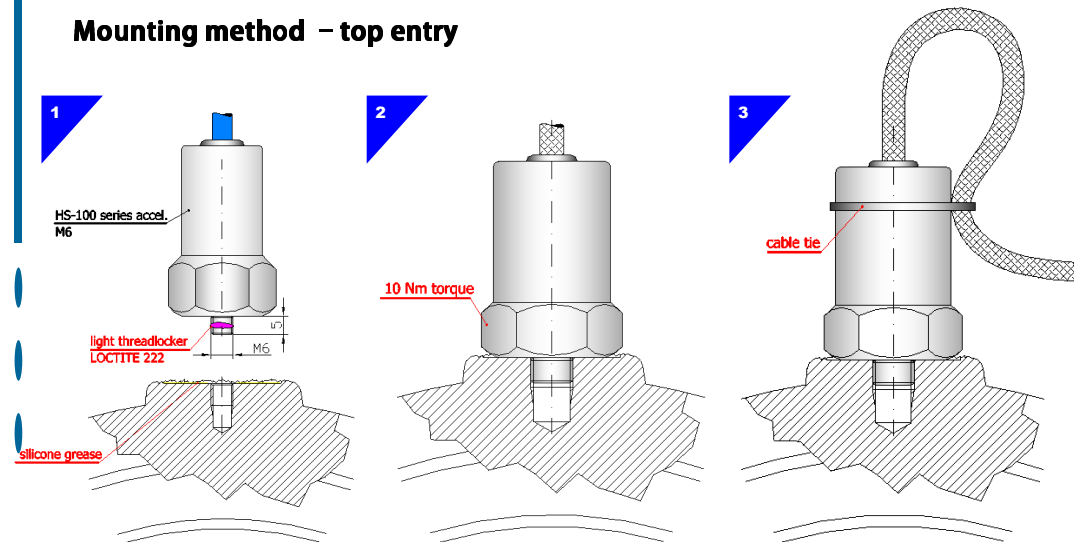
M8

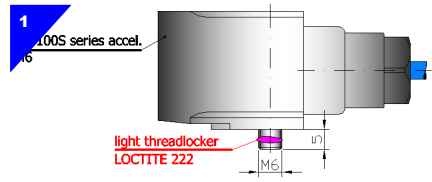
Drilling detail examples



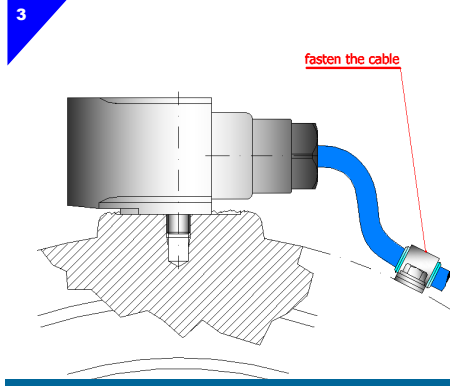
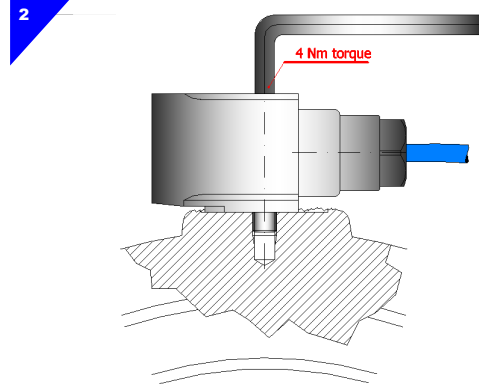
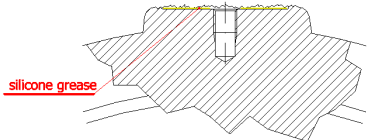
1/4" -28UNF

Mounting method – top entry

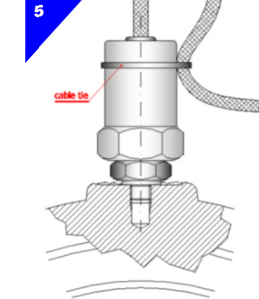
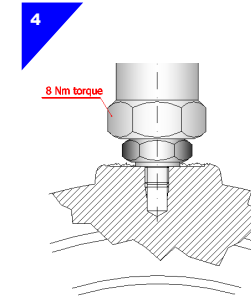
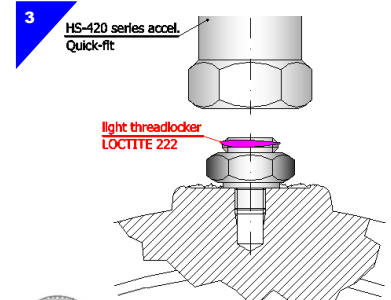
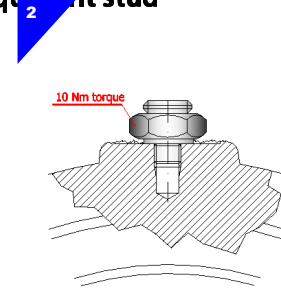
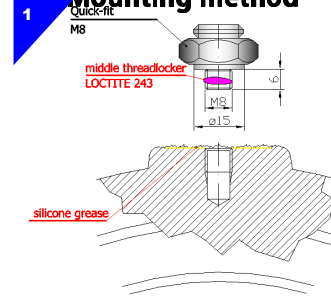




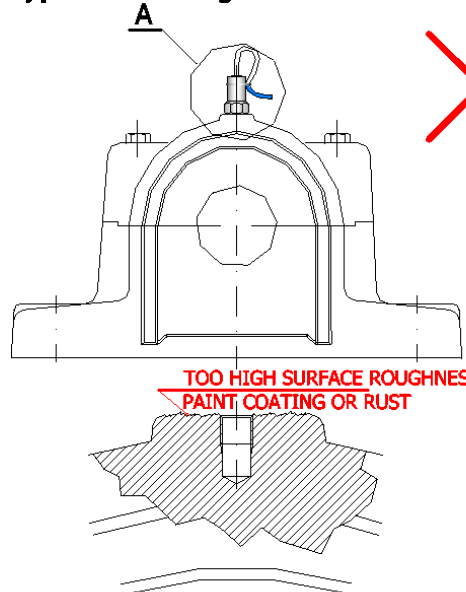
Mounting method – side entry



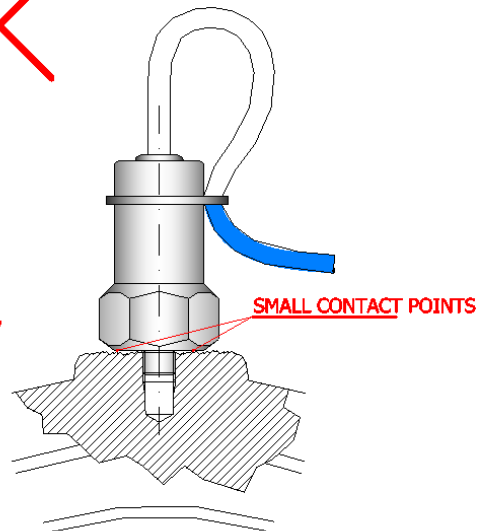
Mounting method – quick fit stud



Typical mounting faults



DETAIL "A"



Typical mounting faults

